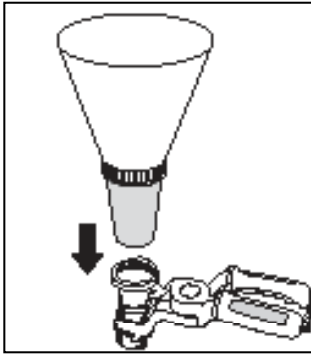


Universal Clamping Funnel

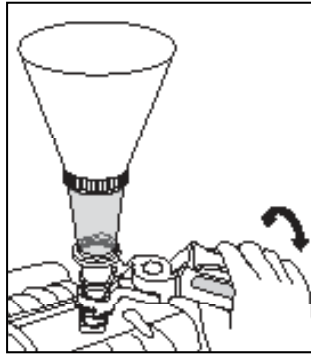
L-UCFL

SETTING UP THE FUNNEL

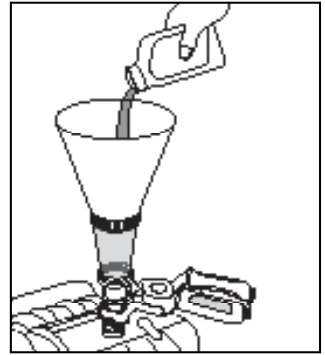
Please follow the instructions as shown:



1) Thread funnel into the clamp ring

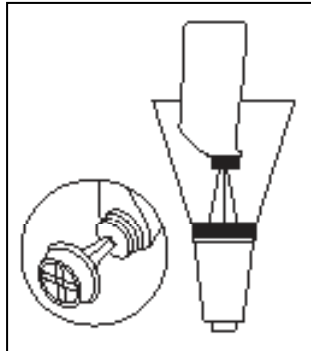
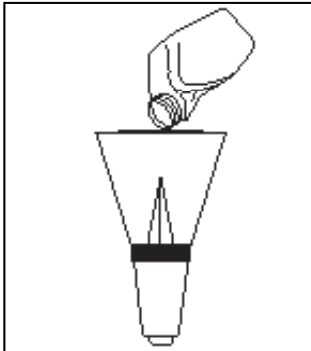


2) Fit clamp over the opening



3) Start refilling the fluid into the engine

PIERCING INSTRUCTIONS



WARNING

Wear safety glasses and safety gloves.