

HIGH FLOW OIL CONTROL GUN

L-HFOG, L-DHFOG



Thank you for purchasing a Lubemate oil control nozzle. Your oil control nozzle has been designed to reliably dispense engine oil, gear oil, automatic transmission fluid and premix automotive coolants. This manual assists in operating and maintaining your new oil control nozzle. Please take a few minutes to read through this manual before installing and operating your new oil control nozzle.

Rigid extension with auto nozzle

Designed for heavy-duty work conditions and auto nozzle avoids cross-contamination and fluid wastage.

2 position latch mechanism

Allows control of flow rate in two positions.



L-HFOG

Compact and light weight design

Made from aircraft grade aluminium for maximum strength and durability.

High flow capacity

Flow rates up to 80LPM.

TECHNICAL SPECIFICATIONS

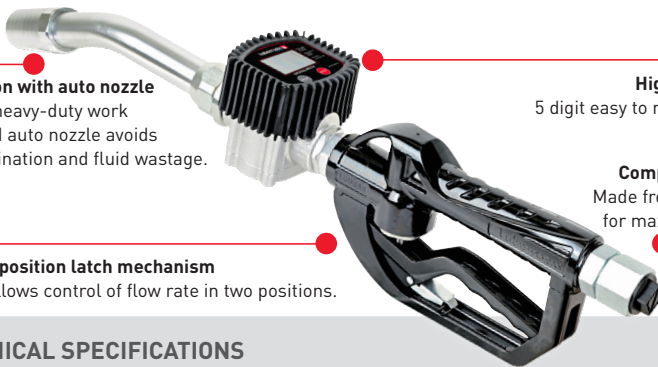
- 3/4" BSP (F) inlet swivel
- Flexible extension with automatic nozzle
- Flow rate up to 80LPM
- Suitable for oils up to SAE 140, engine oils, gear oils, ATF, hydraulic oils and premixed coolants
- Max pressure up to 10,000kPa (1,450psi)

Rigid extension with auto nozzle

Designed for heavy-duty work conditions and auto nozzle avoids cross-contamination and fluid wastage.

2 position latch mechanism

Allows control of flow rate in two positions.



L-DHFOG

High accuracy digital oil meter

5 digit easy to read, resettable LCD display.

Compact and light weight design

Made from aircraft grade aluminium for maximum strength & durability.

TECHNICAL SPECIFICATIONS

- 3/4" BSP (F) inlet swivel
- Rigid extension with automatic nozzle & digital meter
- Flow rate up to 80LPM
- Suitable for oils up to SAE 140
- Digital meter: 5 digit easy to read LCD display
- Max pressure up to 5,000kPa (725psi)

Mac-rev-1-2018

GENERAL SAFETY REGULATIONS

1. Keep the work area clean and dry. Damp or wet work areas can result in injury.
2. Keep children away from work area. Do not allow children to handle this product.
3. Use the right tool for the job. Do not attempt to force small equipment to do the work of larger industrial equipment. There are certain applications for which this equipment was designed. It will do the job better and more safely at the capacity for which it was intended. Do not modify this equipment, and do not use this equipment for a purpose for which it was not intended.
4. Check for damaged parts. Before using this product, carefully check that it will operate properly and perform its intended function. Check for damaged parts and any other conditions that may affect the operation of this product. Replace damaged or worn parts immediately.
5. Do not overreach. Keep proper footing and balance at all times to prevent tripping, falling, back injury, etc.
6. DO NOT use the equipment when tired or under the influence of drugs, alcohol, or medication. A moment of inattention while operating this equipment may result in serious personal injury.



IMPORTANT!

This manual contains important warnings and information. **READ AND KEEP IT FOR REFERENCE.**

SAFETY PRECAUTIONS



WARNING!

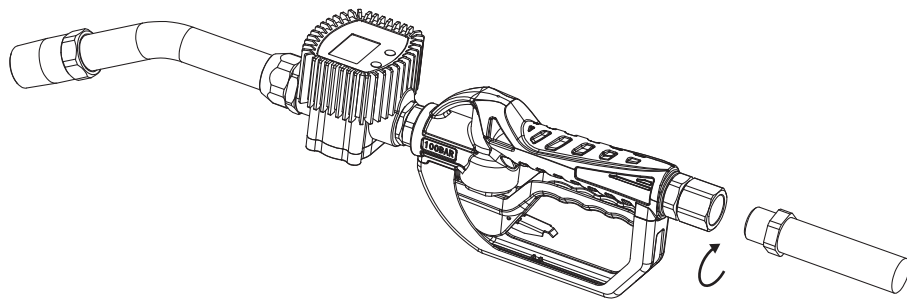
Precaution before installation:

1. Check if there is any data shown on the display.
2. Check if the trigger can work normally.
3. Check if the oil inlet can rotate well.
4. During assembly, it's required to apply the Teflon tap for the connecting part.



WARNING

Read carefully and understand all **INSTRUCTIONS** before operating. Failure to follow the safety rules and other basic safety precautions may result in serious personal injury. Save these instructions in a safe place and on hand so that they can be read when required. Keep these instructions to assist in future servicing.



Control valve is 3/4" oil inlet, when connecting with hose fitting, please remember to apply the Teflon for a better seal.

USAGE INSTRUCTIONS

1. Start:

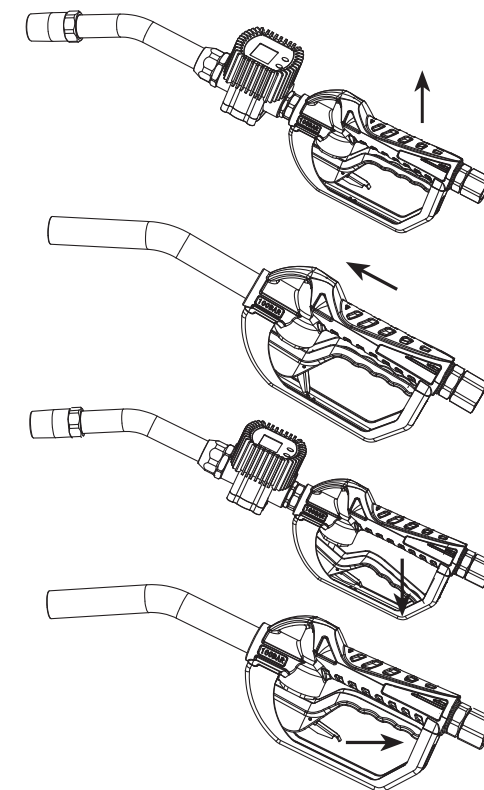
Turn on the trigger to make the oil transmission.

2. Keep the status:

Push the lock ahead, then the transmission can be kept when the trigger is released.

3. Finish:

- a. If the lock is not used, release your hand, the trigger will turn off and finish the transmission.
- b. If the lock is used, please turn on the trigger once again, the lock will stop working. Then turn off the trigger, release your hand, the transmission will be finished.



NOTES WHEN USING

1. For working condition, please refer to the specification parameter list. Temperature: -10°C~60°C
2. Medium: Lubricant Oil

Maintenance

If any problem, please contact your local service centre.

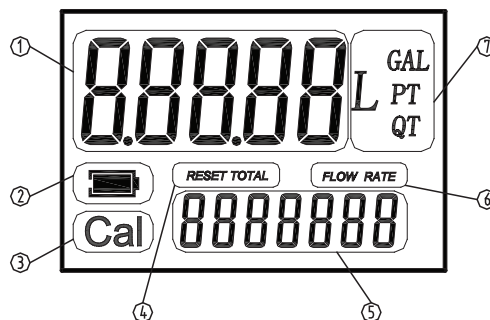
Function button introduction

1. LCD display.
2. "MOVE" button.
3. "RESET" button.



LCD DISPLAY KEY

1. Partial register (5 figures with moving comma from 0.1 to 99999) indicating the volume dispensed since the reset button was last pressed.
2. Indication of battery charge
3. Indication of calibration mode
4. Indication of resetting present total to Zero
5. Total register
6. Indication of flow rate mode
7. Indication of unit of measurement of partial:



L = Litres
 GAL = Gallons
 PT = Pints
 QT = Quarts

USER BUTTONS

The turbine digital meter features two buttons (MOVE and RESET) which individually perform two main functions and together, other secondary functions.

The main functions performed are:

For the reset key, resetting the partial Register and reset table total (reset total).

For the move key, entering instrument calibration mode.

Used together, the two keys permit entering configuration mode.

BATTERY REPLACEMENT

When replacing the battery, please open the cover, remove the plug and replace the battery.

DAILY USE BUTTON USAGE, CALIBRATION AND MEASUREMENT UNIT CHANGE

Reset the present total (See Fig. 4)

- 1) When the meter is on standby, press the RESET key.
- 2) The display shows all the segments.
- 3) The meter resets the present total already.

Show current correction factor and general total (See Fig. 5)

Press MOVE and RESET together and hold for two seconds. Value "1.4000" is the correction factor which can be reset; "1234567" is the general total which cannot be reset.

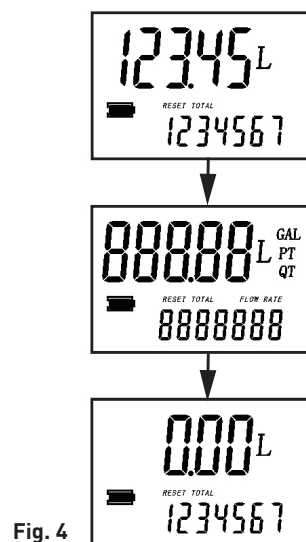


Fig. 4

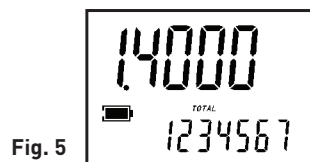


Fig. 5

Measurement unit change (See Fig. 6)

Press MOVE and RESET together and hold for five seconds.

Zone 7 on the display is the current unit. Press RESET to chose a different measurement unit and then press MOVE to confirm.

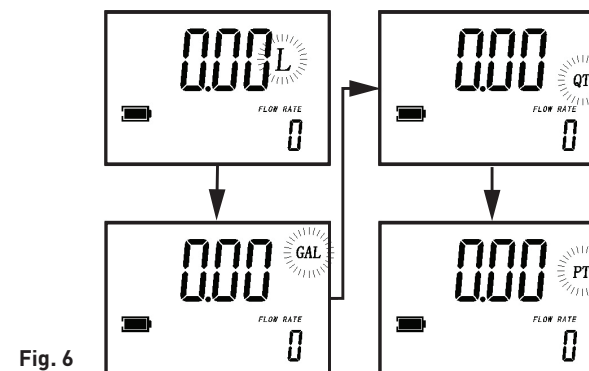


Fig. 6

Reset the resettable total (See Fig. 7)

When the meter is on standby, press the RESET key for 2 seconds to reset the present total first.

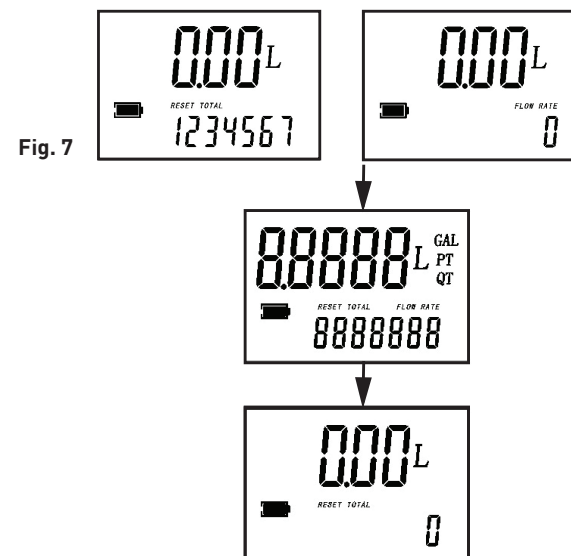


Fig. 7

PROCEDURE FOR ENTERING THE CORRECTION FACTOR DIRECTLY

Carefully follow the procedure indicated below.

FORMULA

$$\text{PROPER CORRECTION FACTOR} = \text{CURRENT CORRECTION FACTOR} \times (\text{ACTUAL VALUE} / \text{DISPLAY VALUE})$$

Example:

Actual value **20.75**

Display value **18.96**

Current correction factor **1.000**

Proper correction factor **$1.000 \times (20.75 / 18.96) = 1.000 \times 1.094 = 1.094$**

1	Wait for the meter to go to standby.	
2	Reset the resettable total.	
3	Press the MOVE key. Keep it pressed until similar with the image showed (the digit flash in ① zone), it means the meter is in correction factor modification mode.	
4	Press the RESET key to choose the right digit from 0 to 9. Press the MOVE key to start the next digit. So the digit of correction factor can be changed one by one.	
5	Make sure the correction factor is right, press the MOVE key. Keep it pressed until quit calibration mode, the factor is saved. The meter goes to standby again.	

Modify the correction factor in field

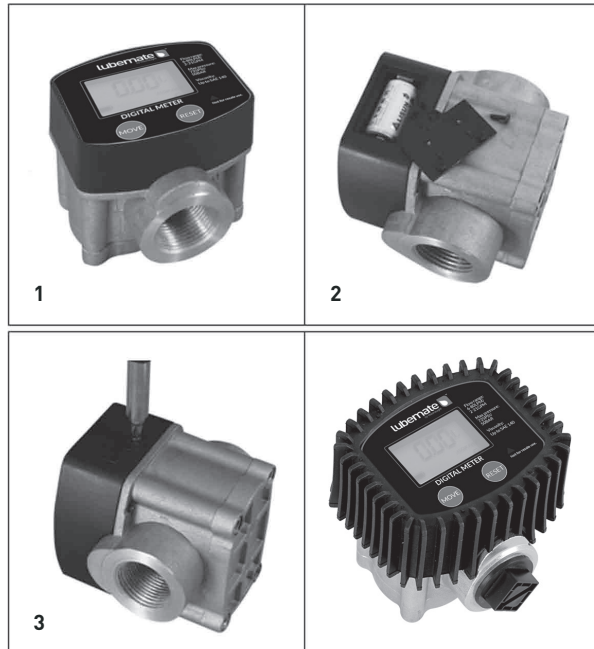
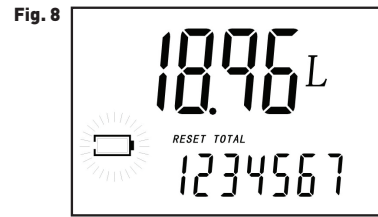
Please carefully follow the procedure indicated below.

1	Wait for the meter to go to standby.	
2	Reset the resettable total.	
3	Start dispensing into a measuring glass. Stop dispensing when over 5 Litres of volume is reached, read out the actual value. The volume that is displayed on the LCD is the Display Value, not the Actual Value which may be slightly higher. For example, in the figure on the right, the Display Value is 18.96 while the Actual Value is 20.75.	
4	Press the MOVE key. Keep it pressed until showed as the right fig., the digit flash in ① zone, Press the RESET key to choose the right digit from 0 to 9. Press the MOVE key to go the the next digit so that the Actual Value can be input.	
5	Make sure the correction factor is right and then press the MOVE key. Keep it pressed until calibration is finished and the factor is save. The meter will then return to standby.	

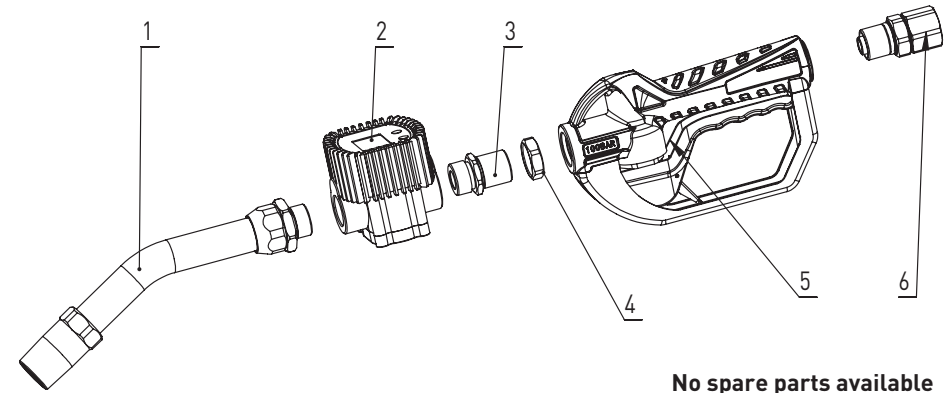
MAINTENANCE

Battery replacement

1. When the battery signal is flashing on the LCD (**see Fig. 8**), it means the meter is in low battery. In this condition, the meter continues to work correctly, but the flashing icon warns the user that it is advisable to change the battery.
2. Remove the Rubber protection, screw off the screw on the battery cover, then open the battery box to change the battery.
3. After that, install the battery cover, tighten the screw, fix on the rubber protection to finish the battery change. **(Battery type: 1×CR2(3V))**



OIL CONTROL VALVE EXPLODED DRAWING & PART LIST

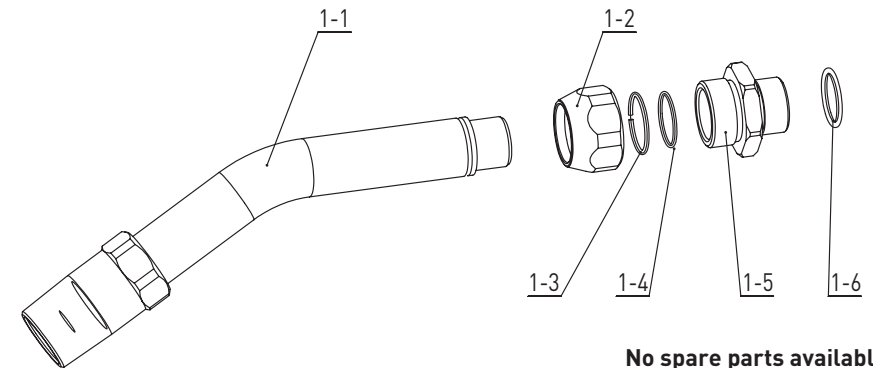


No spare parts available

Part No.	Description	Q'ty
1	Spout	1
2	Digital meter	1
3	3/4" swivel	1

Part No.	Description	Q'ty
4	Hexagon nut	1
5	Handle body	1
6	Swivel fitting	1

RIGID SPOUT EXPLODED DRAWING & PART LIST

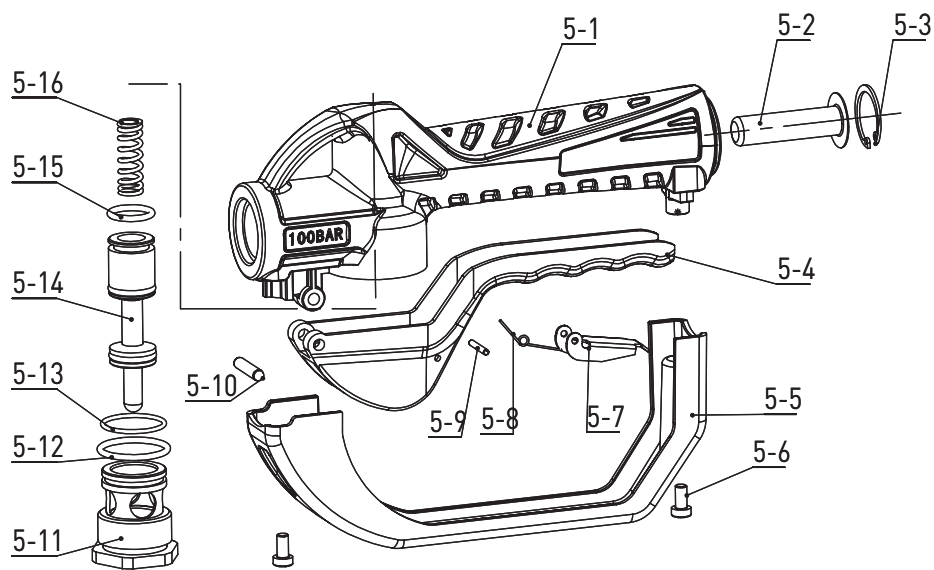


No spare parts available

Part No.	Description	Q'ty
1-1	Spout	1
1-2	Nut	1
1-3	Spring clip	1

Part No.	Description	Q'ty
1-4	O-ring	1
1-5	Adapter	1
1-6	O-ring	1

VALVE BODY EXPLODED DRAWING & PART LIST



No spare parts available.

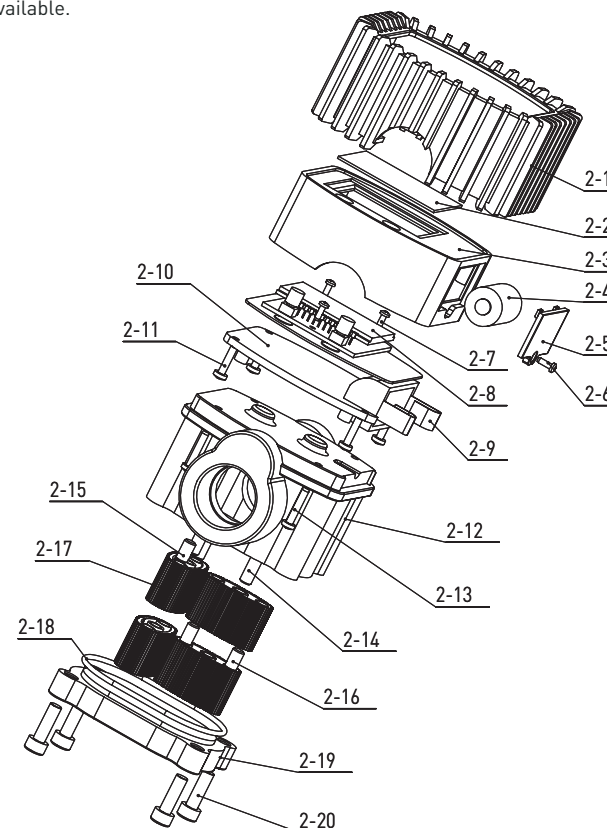
Part No.	Description	Q'ty	Part No.	Description	Q'ty
5-1	Handle body	1	5-9	Pin	1
5-2	Filter	1	5-10	Pin	1
5-3	Retainer	1	5-11	Piston sleeve	1
5-4	Trigger	1	5-12	O-ring	1
5-5	Grip	1	5-13	O-ring	1
5-6	Screw	2	5-14	Slip pole	
5-7	Trigger lock	1	5-15	O-ring	3
5-8	Clip	1	5-16	Spring	1

NOTE: This product should be disposed of according to all applicable local and national government environment regulations and guidelines!



Part No.	Description	Q'ty	Part No.	Description	Q'ty
2-1	Rubber protection	1	2-11	Self tapping screw	4
2-2	Protection board for LCD Display	1	2-12	Meter body	1
2-3	Meter cover	1	2-13	Self tapping screw	4
2-4	Battery	1	2-14	Shaft	2
2-5	Battery cover	1	2-15	Magnet	2
2-6	Self tapping screw	1	2-16	Pin	2
2-7	Self tapping screw	3	2-17	Oval Gear	4
2-8	Cl Electrical board ip	1	2-18	O ring	1
2-9	Spring slice for battery	2	2-19	Bottom plate	1
2-10	Fix board	1	2-20	Hexagon screw	4

No spare parts available.





Lubemate® is a practical, cost-effective range of equipment brought to you by the trusted team at Macnaught.

All Lubemate products are specially selected by our experienced technical team at Macnaught®, ensuring they meet our strict quality standards.



Macnaught Pty Ltd

41-49 Henderson St, Turrella NSW 2205. Australia

Ph: 1800 185 102 **Fax:** +61 2 9597 7773

Email: info@macnaught.com **Website:** macnaught.com