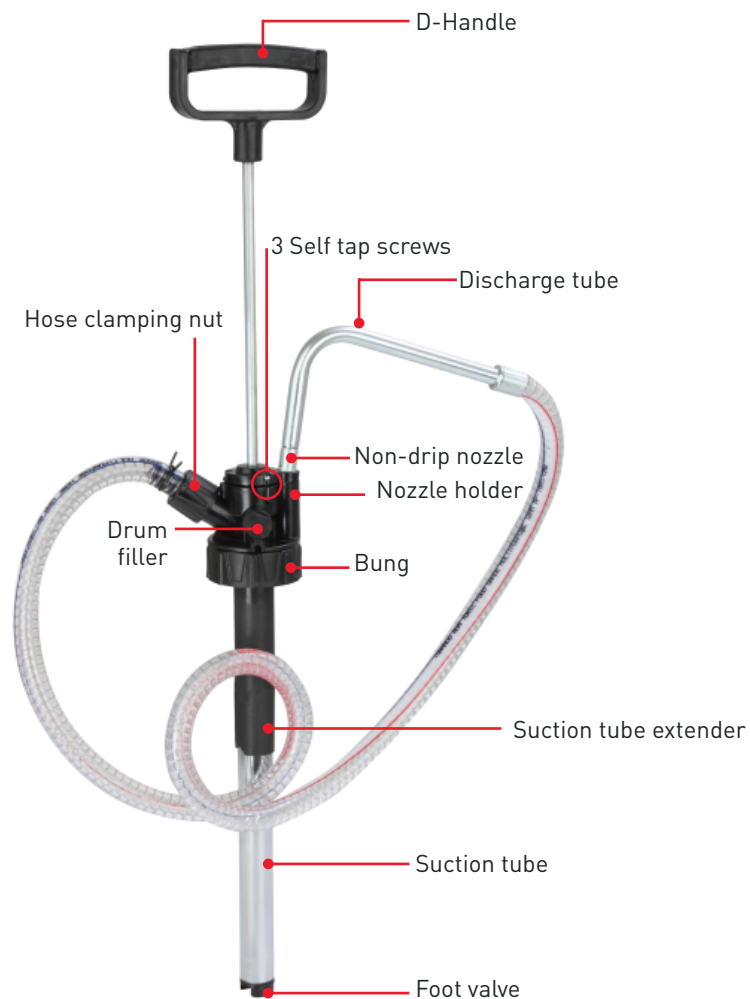

INSTRUCTION MANUAL

PREMIUM OIL PUMP - 20L L-DP20P



INTRODUCTION

Thank you for purchasing a Lubemate 20L Oil Drum Pump. Your drum pump has been designed and manufactured to reliably dispense fluid on the down stroke. The pump is constructed using a heavy duty steel suction tube and nylon pump head. The pump has a built in drain back facility to allow oil drain back into the pump if required.

SPECIFICATIONS

Flow rate:	Up to 65mL/stroke
Drum capacity:	18-25L
Delivery hose length:	1.2m
Wetted materials:	Steel, aluminium, polyethylene, copolymer, Viton®, PVC and nylon

PREMIUM OIL PUMP - 20L

GENERAL INFORMATION

The pump tube extender can be extended up to 100mm for use with various container depths. The pump is supplied with a 1.2m spring embedded non-kink discharge hose and steel non-drip nozzle. The hose clamp nut allows easy attaching of the hose onto the pump head.

RECOMMENDED USE

The pump is suitable for use with engine oils, gear oils, light fuel oil, antifreeze and glycerine.

DO NOT USE WITH

Urea, kerosene, lacquers or any other water based or corrosive fluids.

ASSEMBLY

1. After unpacking the pump, slide and adjust the suction tube extender to the correct length to suit the container height.

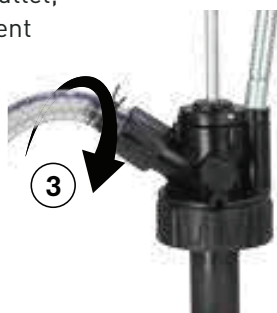
Note: Pump length can be extended up to 100mm for use on high depth containers.



2. Slide the pump through the drum opening and screw the bung adaptor firmly onto the drum thread to secure pump.



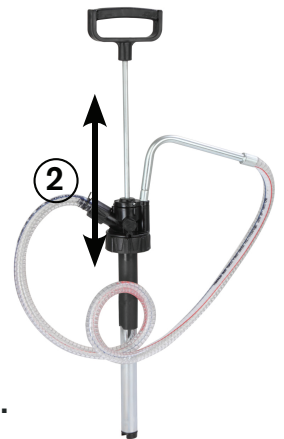
3. Screw the outlet hose using the clamping nut to the pump outlet, tighten nut securely to prevent oil leaking from connection.



OPERATING INSTRUCTIONS

1. Place the outlet nozzle into the container/drum to be filled.

2. Operate the pump by lifting and lowering the handle. The pump dispenses the fluid on the down stroke.

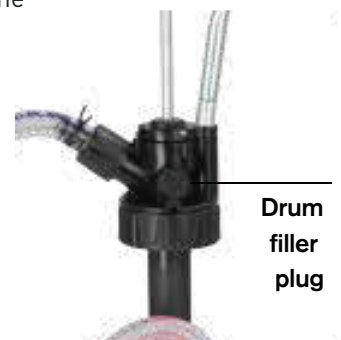


Note: When using the pump for the first time, it may take up to 5 strokes for the pump to prime.

3. The drum filler plug can be used to refill the container without removing the pump.

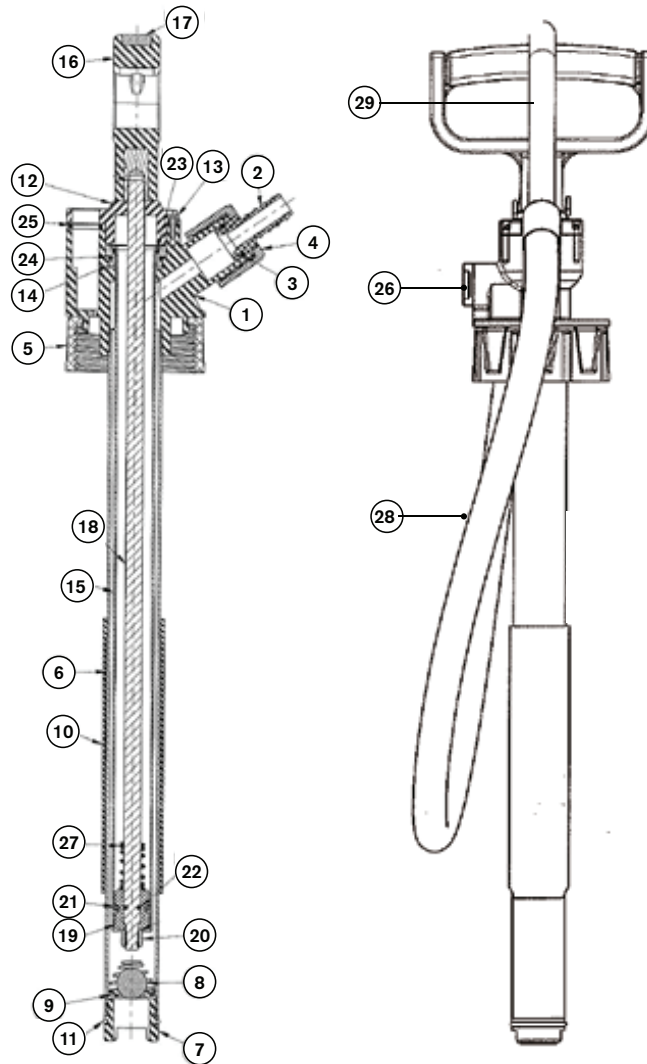
To fill, use a spanner to remove the screw from the pump head. Use a suitable size hose and fit to the pump head opening.

This allows the operator to refill the container without removing the pump.



PREMIUM OIL PUMP - 20L

PARTS LISTS



ITEM	DESCRIPTION	ITEM	DESCRIPTION	ITEM	DESCRIPTION
1	Plastic head	11	O-ring	21	O-ring
2	Outlet	12	Cover	22	O-ring
3	O-ring	13	Self tap screws	23	O-ring
4	Plastic nut	14	O-ring holder	24	O-ring
5	Flange	15	Inner pump tube	25	O-ring
6	Barrel	16	Handle	26	Drum filler plug
7	Foot valve	17	Handle cap	27	Top stop spring
8	Steel ball	18	Plunger rod	28	Outlet hose
9	Ball retainer spring	19	Piston	29	Outlet nozzle
10	Steel tube extender	20	Nyloc nut		

NOTE: No spare parts available

PREMIUM OIL PUMP - 20L

TROUBLE SHOOTING GUIDE

TROUBLE	CAUSE	REMEDY
Pump does not dispense fluid or prime.	1) Pump sucking air.	1) Inspect pump cover (12) and seals for leaks.
	2) Suction tube blocked.	2) Clean suction tube.
Handle difficult to move.	1) Pump has not been used for some time.	1) Inspect and clean residue from internal components. Flush to clean pump.
	2) Damaged or worn parts.	2) Remove pump cover (12) and inspect internal parts. Replace pump if required.



Lubemate® is a practical, cost-effective range of equipment brought to you by the trusted team at Macnaught.

All Lubemate products are specially selected by our experienced technical team at Macnaught®, ensuring they meet our strict quality standards.



Macnaught Pty Ltd

41-49 Henderson St, Turrella NSW 2205. Australia

Ph: 1800 185 102 **Fax:** +61 2 9597 7773

Email: info@macnaught.com.au **Website:** macnaught.com