

## 18V LITHIUM GREASE GUN



### PRODUCT SPECIFICATION

Charger Input Power	230 Vac/60HZ
Battery Output Power	18Vdc
Battery Capacity	1500 mAH
Battery Pack Charge Time	70-75Min
Maximum Operating Pressure	10,000 ± 1000 PSI
Grease Reservoir Capacity	16 oz
Maximum Flow rate (g/minute)	100 ± 10
Hose	102cm
Weight	6.8kg



### SAFETY INSTRUCTIONS

Failure to follow all instructions listed below may result in electric shock, fire, and / or serious injury. Please read carefully.

## WORK AREA

1. Keep your work area clean and well lit. Cluttered benches and dull areas may cause accidents.
2. Do not operate power tools in explosive atmospheres such as in the presence of flammable liquids, gases, or dust. Power tools create sparks that may ignite the materials.
3. Keep bystanders, children, and visitors away while operating a power tool. Distractions can lead you to lose control.

## ELECTRICAL SAFETY

1. Avoid body contact with grounded surfaces such as pipes, couplers. There is an increased risk of electric shock if your body is grounded.
2. Do not expose power tools to rain or wet conditions. Water entering a power tool will increase the risk of electric shock.

## PERSONAL SAFETY

1. Stay alert. Watch what you are doing, and use common sense when operating a power tool. Do not use a power tool while tired or under the influence of drugs, alcohol, or medication. A moment of inattention while operating power tools may result in serious personal injury.
2. Dress properly. Do not wear loose clothing or jewelry. Contain long hair. Keep your hair, clothing, and gloves away from moving parts. Loose clothes, jewelry, or long hair can be caught in moving parts.
3. Avoid accidental starting. Be sure the Switch is released before plugging in. Carrying power tools with your finger on the Trigger, or plugging in power tools with the Trigger depressed, invites accidents.
4. Remove adjusting keys or wrenches before turning the power tool on. A wrench or a key that is left attached to a rotating part of the power tools may result in personal injury.
5. Do not overreach. Keep proper footing and balance at all times. Proper Tooting and balance enables better control of the power tool in unexpected situations.
6. Use safety equipment. Always wear ANSI approved safety glasses underneath a full face safety shield. Dust mask, non-skid safety shoes, hard hat, or hearing protection must be used for appropriate conditions.

## WARNING

Do not use battery charger in damp or wet locations. Do not use the grease gun or Charger if it has been dropped, damaged, left outdoors, or immersed in liquid. To avoid electrical shock, do not handle the charger, its power cord plug, or the Grease Gun with wet hands.

## WARNING

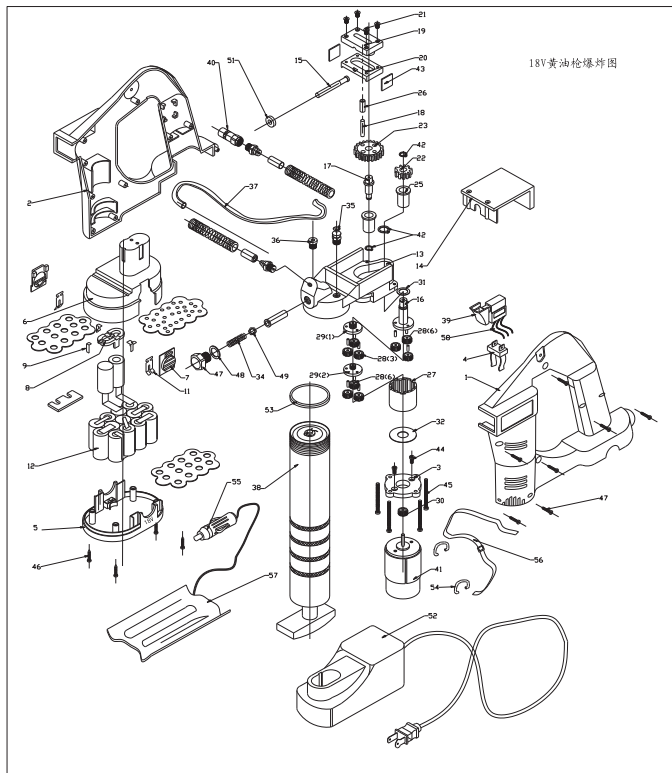
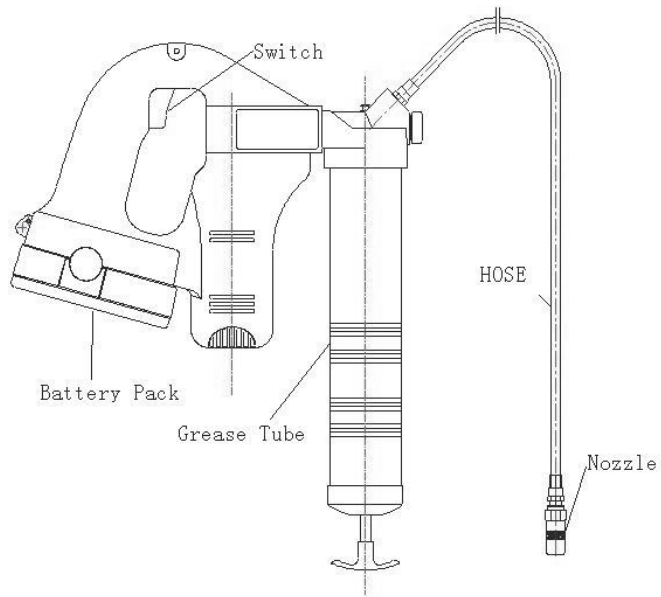
Grease gun can develop high pressure – up to 10,000 PSI. Use safety glasses and gloves for protection during operation. Keep hands clear of the exposed rubber portion of hose.

## PARTS LIST

Part #	Description	Qty	Part #	Description	Qty
1	Left Cover	1	38	Tube	1
2	Right Cover	1	39	Switch	1
3,13,14,16-34 42-46,48-51	Pump Assembly	1	40	Nozzle	1
			41	Motor	1
4	Plug	1	47	Screw	10
5,6	Battery Pack Cover	2	52	Charger	1
7-12	Battery Assembly	2	53	Seal	1
15	Plunger	1	54	Ring	2
35	Vent Valve	1	55	Cigarette plug	1
36	Filler Valve	1	56	Belt	1
37	Hose	1	57	Electro thermal Blanket	1
			58	Wire	1

### TROUBLESHOOTING

Condition	Possible Cause	Corrective Action
Motor fails to run	Battery needs charging. Faulty wiring to motor.	Recharge battery. Remove battery, disassemble handle and check wiring for loose connection.
Pressure Relief Valve opens to discharge grease	Blocked Line. Blocked Bearing Blocked Grease fitting	Check lines, brazing and grease fitting to remove or clean obstructions.
PowerLuber fails to dispense grease	Grease tube assembly is out of grease. Loss of prime. Ball check item 22 is not functioning.	Check that grease tube assembly has grease. Repeat priming operation. Remove items 22 and clean and inspect ball seat area.
PowerLuber continues to lose prime.	Air may be trapped in several locations in container after bulk filling. Follower may be binding in Grease tube assembly.	Empty grease tube assembly, refill and repeat priming instructions. Replace grease tube assembly Item 9.
Battery fails to take a Charge.	Charger may not have power. Battery may be bad.	Check that receptacle has power. Replace battery.



## WARNING

Extreme pressure may cause nozzle extension or whip hose to burst. Use only APPROVED hoses and follow whip hose instructions and warnings.

## UNPACKING

When unpacking, check to make sure all the parts shown on the Parts List are included.

## SAVE THIS MANUAL

You will need this manual for the safety warnings and precautions, assembly, operating, maintenance and cleaning procedures, parts list and assembly diagram.




## CHARGER OPERATION

### CHARGING THE BATTERY PACK GENERAL

Before using Grease Gun for the first time, the battery pack should be charged for 2 hours. If the battery pack is installed in the gun, remove it by depress the two battery release buttons (one button on each side of battery pack) and pull battery pack out of gun.

As a battery pack approaches the discharged state, you will notice a sharp drop in tool performance. When the tool is unable to perform the task at hand, it is time to recharge the battery pack. Recharging the battery pack before this condition is reached will reduce the total work life of the pack. Discharging the pack beyond this point can damage the pack. The first charge should be for 2 hours before use.

 **NOTE:** Battery temperature will increase during and shortly after use. Batteries may not accept a full charge if they are charged immediately after use. Allow the battery pack to cool to room temperature before charging for best results.

When the Battery Pack requires re-charging, a 1-hour charge allows the tool to operate at full power. Do not re-charge the Battery Pack longer than 1 hour, as damage to the Battery Pack and/or Charger will occur.

CAUTION: Vent slots in top and bottom of charger must not be obstructed. Do not charge battery when temperature is BELOW 32°F (0 °C) or ABOVE 104°F (40°C).

## NORMAL CHARGING

Make sure power circuit voltage is the same as that shown on the charger specification plate. Connect charger to power source.

Plug the Charger into the nearest 230volt, grounded, electrical outlet. Solid green indicates charger is ON. Insert the Battery Pack into the Charging Socket of the Charger, The red light should glow indicating the battery is charging. Green light remains on ,After about 1 hour, the red light goes out indicating a fully charged battery pack; The battery pack may be left on the charge until you are ready to use. Disconnect charger from power source when not in use.

### INSTALLING OR REMOVING BATTERY PACK TO REMOVE BATTERY PACK:

Depress the two battery release buttons (one button on each side of battery pack) and pull battery pack out of grease gun.

**TO INSTALL BATTERY PACK:** Align battery pack with opening handle and push battery pack into handle so as to lock it in the place.



## How to install a Grease Cartridge

### Removing Empty Grease Cartridge

- 1) Pull back on the follower handle until the follower rod is fully extended and latch the follower rod groove into the slot on the tube end cap of the Grease Tube.
- 2) Unscrew the grease tube assembly from the gun.
- 3) Carefully release the follower handle to eject the empty cartridge from container tube.

### Installing Grease Cartridge

- 1) Remove the plastic cap from the grease cartridge and insert cartridge into the container tube.
- 2) Remove the pull tab from grease cartridge and screw grease tube into pump assembly.
- 3) Release follower rod from slot to allow it to go forward. Purge air from pump. See air purging instructions.

### TO CONVERT GUN TO ALLOW FILLING FROM BULK CONTAINER OR FILLER PUMP

- 1) Unscrew the grease tube assembly cap from the grease tube assembly. Pull on the follower handle to extract the follower and spring from the grease tube assembly.
- 2) Grasp follower between thumb and forefinger and flip the follower lip from the rear to the front side.

**NOTE:** The follower resembles a cup. When the gun is assembled for use with bulk lubricant, the cup opens toward the pump assembly.

- 3) Reassemble follower into grease tube assembly and position with the follower handle so that the grease tube assembly cap can be tightened onto the container tube.

### TO FILL THE GUN FROM BULK CONTAINER

- 1) Remove grease tube from the gun.
- 2) Insert the open end of the grease tube assembly into lubricant. Slowly pull the follower handle back while pushing the grease tube assembly deeper into the lubricant to prevent air pockets from being pulled into the grease tube assembly.
- 3) When the follower rod is fully extended, pull it sideways to latch the rod groove into the keyhole slot in the grease tube assembly cap.
- 4) Turn the Grease Tube into the gun and release the follower rod from the slot on the end cap of the tube to allow the follower rod go forward.
- 5) Clean any excess grease of the gun body.

### TO FILL THE GUN WITH A FILLER PUMP

Engage the follower rod with the follower by rotating the follower handle. Insert the gun filler nipple into the filler pump socket. Operate the filler pump to fill the container. When the follower rod groove is exposed, the grease tube assembly is filled. The follower rod will be extended approximately 8 inches (20 cm). Disengage the follower rod from the follower by rotating the follower handle. Push the follower rod into the grease tube assembly.

### TO EXPEL AIR POCKETS

- 1) Free the follower rod from the grease tube assembly cap and depress the vent valve when pushing the follower rod forward.
- 2) Squeeze the switch several times to operate gun until trapped air is expelled. Push the follower rod into the grease tube assembly.

### INSPECTION, MAINTENANCE, AND CLEANING

1. **WARNING** Make sure the Switch is in its "off" position, and unplug the Charger from its electrical outlet before performing any inspection, maintenance, or cleaning.
2. **BEFORE EACH USE**, check the general condition of the Grease Gun. Check for misalignment or binding of moving parts, cracked or broken parts, leaking Battery Pack, damaged Hose, and any other condition that may affect its safe operation. If abnormal noise or vibration occurs, have the problem corrected before further use.  
Do not use damaged equipment.
3. **Battery Pack** precautions: Never burn Batteries, as they can explode in a fire. Do not charge leaking Batteries. Only a qualified service technician should perform maintenance on the Battery Pack. Contact local solid waste authorities for instructions on correct disposal or recycling of the Battery Pack.
4. **DAILY:** Use a soft, dry cloth, remove all dirt, grease, and debris from the exterior of the Grease Gun. Do not use solvents to clean the Grease Gun.
5. **When storing:** Always remove the Battery Pack from the Grease Gun. Keep the Grease Gun and its accessories in a clean, dry location and out of children reach.